

注記 NOTES

1. 使用材料 MATERIAL

ウェハ：液晶ポリマー (LCP) ガラス充填 UL94V-0 (黒)  
 WAFER: LIQUID CRYSTAL POLYMER (GLASS FILLED)  
 UL94V-0 (COLOR:BLACK)

ピン：黄銅 (t=0.1)  
 PIN: BRASS (t=0.1)

金具：りん青銅 (t=0.12)  
 FITTING NAIL: PHOSPHOR BRONZE (t=0.12)

2. メッキ仕様 PLATING

ピン PIN

金メッキ 0.2マイクロメートル以上 (コンタクト部)  
 GOLD 0.2 MICROMETER MINIMUM (CONTACT AREA)

金メッキ 0.4マイクロメートル以下 (テール部)  
 GOLD 0.4 MICROMETER MAXIMUM (TAIL AREA)

下地メッキ：ニッケルメッキ 1.5 マイクロメートル以上  
 UNDER PLATING: NICKEL 1.5 MICROMETER MINIMUM

金具 FITTING NAIL

半田付け処理 (金・パラジウムコート)  
 SOLDERABILITY IMPROVEMENT COAT (Au & Pd-Ni COAT)

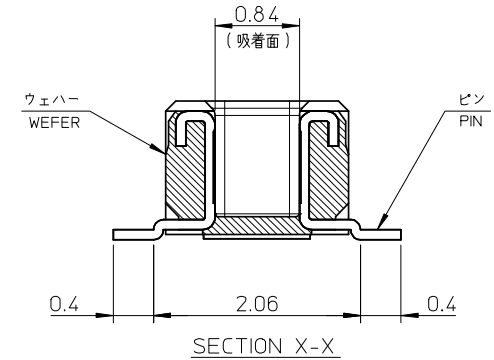
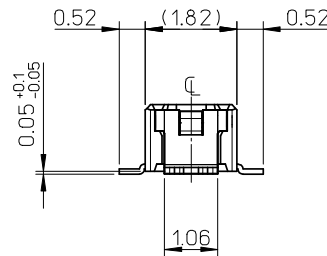
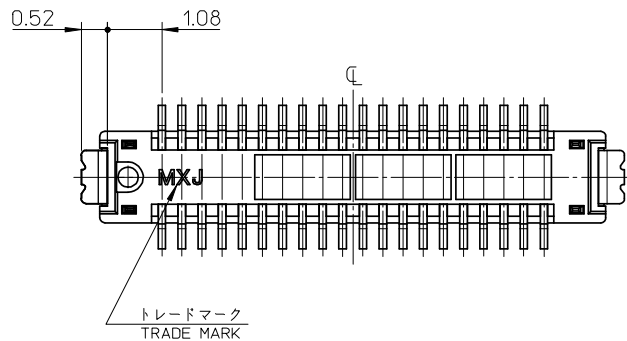
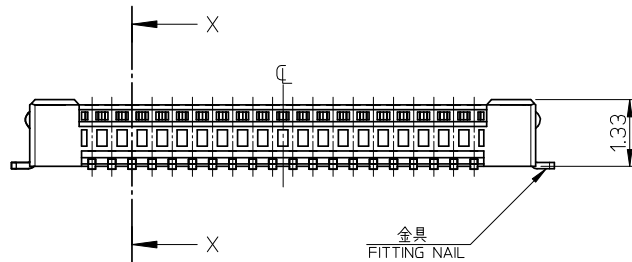
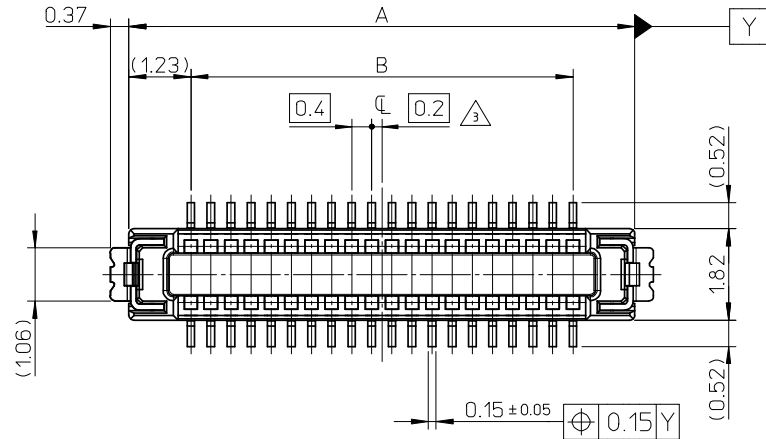
下地メッキ：ニッケルメッキ 1.0 マイクロメートル以上  
 UNDER PLATING: NICKEL 1.0 MICROMETER MINIMUM

△ (全極数/2) = 偶数の場合に適用。  
 APPLY ODR (CIRCUIT/2)=EVEN.

4. 嵌合相手：501635 シリーズ  
 MATE WITH: 501635 SERIES.

5. テール平坦度は、0.08 以下  
 TAIL COPLANARITY TO BE 0.08 MAXIMUM  
 テール及び金具の平坦度は、0.1 以下  
 TAIL AND FITTING NAIL COPLANARITY TO BE 0.1 MAXIMUM

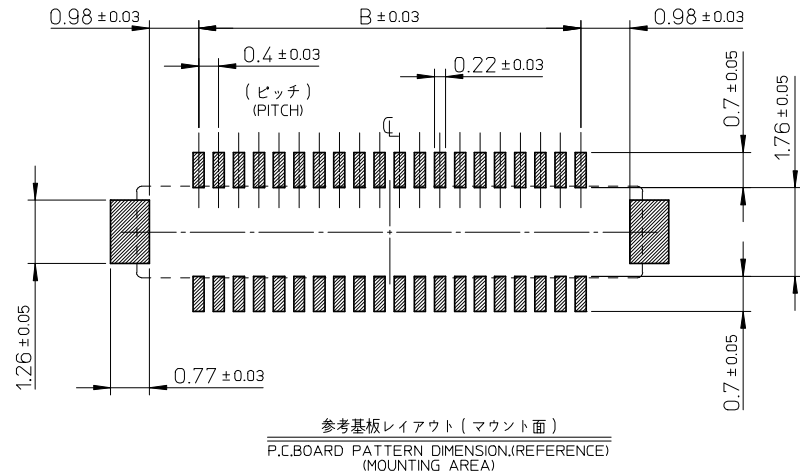
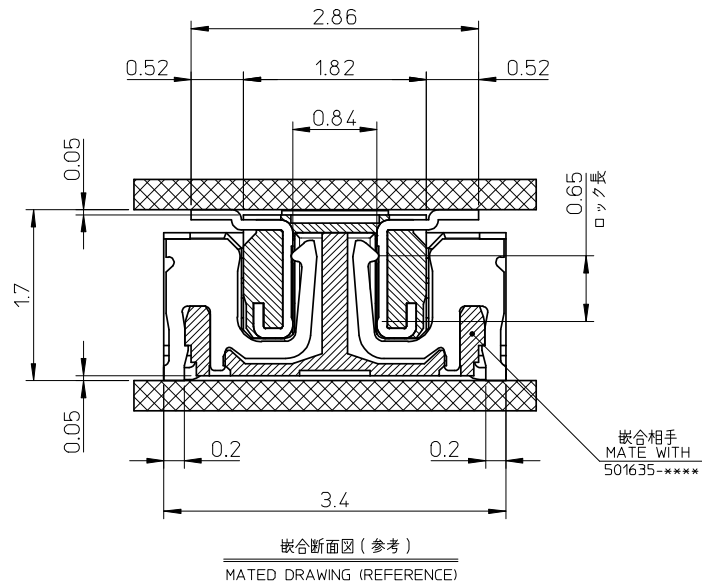
6. ELV AND RoHS COMPLIANT.



11.6	14.06	501639-0610	501639-0619	60
9.6	12.06	501639-0510	501639-0519	50
7.6	10.06	501639-0410	501639-0419	40
5.6	8.06	501639-0310	501639-0319	30
B	A	EMBOSSED TAPE	MATERIAL No.	CKT.
		ORDER No.		

MODEL No. : 501639-\*\*19

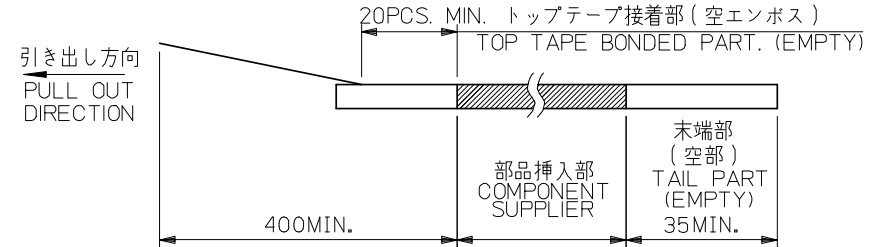
REVISED EC NO: J2009-0386 DRWN: YAQYAGI 2008/08/20 CHKD: HYAJIMA 2008/08/20 APPR: NUKITA 2008/08/20	DESCRIPTION	GENERAL TOLERANCES (UNLESS SPECIFIED)		DIMENSION STYLE MM ONLY		SCALE 10:1	DESIGN UNITS METRIC	THIRD ANGLE PROJECTION	
		10 UNDER	± 0.2	DRAWN BY RTAKEUCH	DATE 2005/10/27	TITLE 0.4 B-TO-B CONN. HGT=1.7 PLUG ASSY [OVERMOLD]			
		10 OVER 30 UNDER	± 0.25	CHECKED BY THIRATA	DATE 2005/10/27				
		30 OVER	± 0.3	APPROVED BY MSASAO	DATE 2005/10/27				
		ANGULAR ± 3 °	DRAFT WHERE APPLICABLE MUST REMAIN WITHIN DIMENSIONS	MATERIAL NO. SEE TABLE	MOLEX INCORPORATED		DOCUMENT NO. SD-501639-001	SHEET NO. 1 OF 2	
		THIS DRAWING CONTAINS INFORMATION THAT IS PROPRIETARY TO MOLEX INCORPORATED AND SHOULD NOT BE USED WITHOUT WRITTEN PERMISSION							



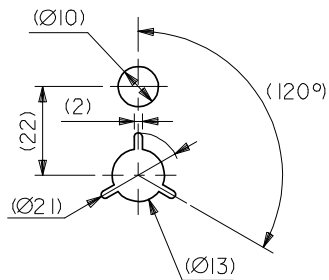
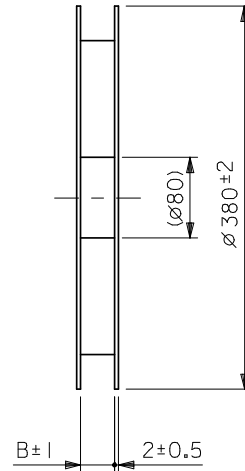
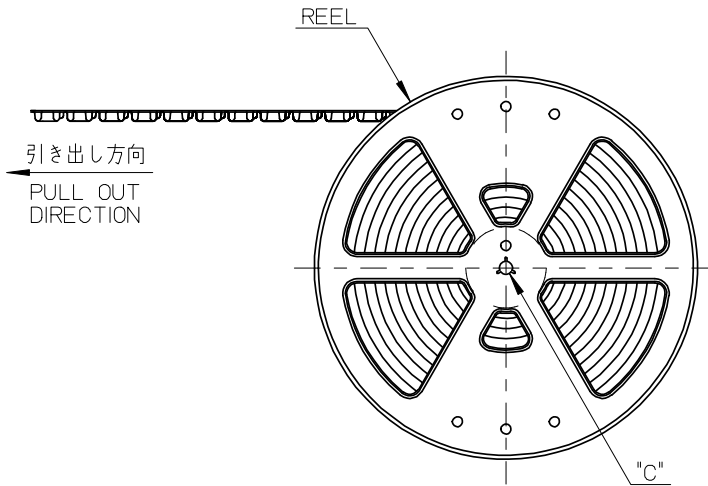
REVISED EC NO: J2009-0386 DRWN: YA0YAGI 2008/08/20 CHKD: HYAJIMA 2008/08/20 APPR: NUKITA 2008/08/20	GENERAL TOLERANCES (UNLESS SPECIFIED)		DIMENSION STYLE MM ONLY	SCALE 10:1	DESIGN UNITS METRIC	THIRD ANGLE PROJECTION
	10 UNDER	± 0.2	DRAWN BY RTAKEUCH	DATE 2005/10/27	TITLE 0.4 B-TO-B CONN. HGT=1.7 PLUG ASSY [OVERMOLD]	
	10 OVER 30 UNDER	± 0.25	CHECKED BY THIRATA	DATE 2005/10/27	MOLEX INCORPORATED DOCUMENT NO. SD-501639-001 SHEET NO. 2 OF 2	
	30 OVER	± 0.3	APPROVED BY MSASAO	DATE 2005/10/27		
DESCRIPTION	ANGULAR ± 3 °	MATERIAL NO. SEE SHEET 1		THIS DRAWING CONTAINS INFORMATION THAT IS PROPRIETARY TO MOLEX INCORPORATED AND SHOULD NOT BE USED WITHOUT WRITTEN PERMISSION		
REV	DRAFT WHERE APPLICABLE MUST REMAIN WITHIN DIMENSIONS		SIZE A3			

注記 NOTES

- 製品詳細寸法については製品単体図面を参照下さい。  
RE DETAILED DIMENSION, SEE PRODUCT DRAWING.
- 梱包数量: 5000 個/リール  
NUMBER OF CONNECTORS: 5000PCS/REEL
- リードテープ長さ LEAD TAPE LENGTH

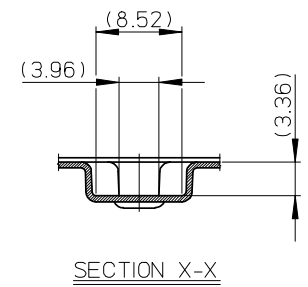
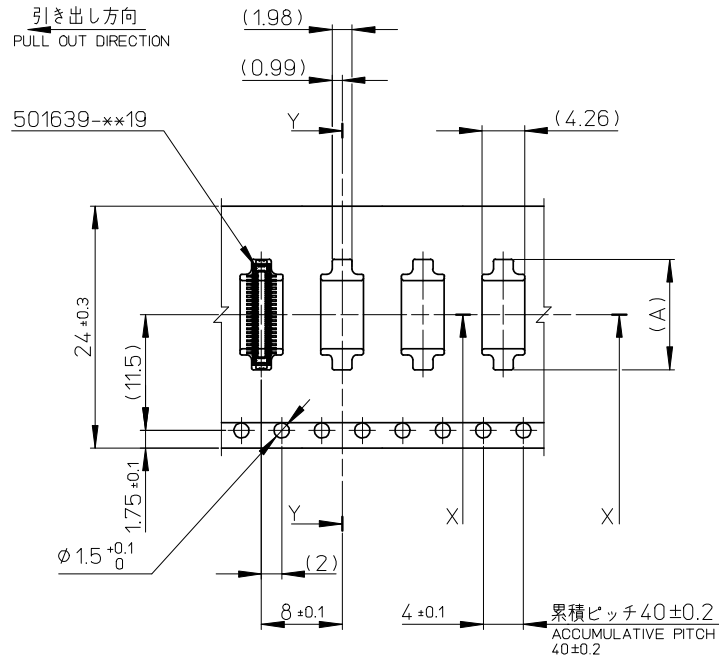
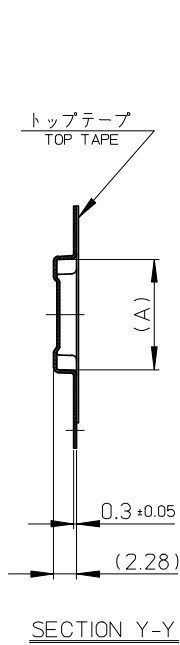


- 材料 MATERIAL  
 キャリアテープ (CARRIER TAPE): ポリスチレン (POLYSTYRENE)  
 トップテープ (TOP TAPE): PET, PE, PEF  
 リール (REEL): ポリスチレン (PS) <リサイクル材を含む>  
 POLYSTYRENE (PS) <RECYCLE MATERIAL CONTAINED>
- ELV AND RoHS COMPLIANT.



DETAIL "C"

REVISED EC NO: J2009-0386 DRWN: YAGI 2008/08/20 CHKD: HYAJIMA 2008/08/20 APPR: NUKITA 2008/08/20	GENERAL TOLERANCES (UNLESS SPECIFIED)		DIMENSION STYLE MM ONLY	SCALE ---	DESIGN UNITS METRIC	MODEL NO.   501639-**10	THIRD ANGLE PROJECTION
	10 UNDER	±---	DRAWN BY RTAKEUCHI	DATE 2005/10/27	TITLE 0.4 B-TO-B CONN. HGT=1.7 PLUG ASSY EMBSTP PKG		
	10 OVER 30 UNDER	±---	CHECKED BY THIRATA	DATE 2005/10/27	MATERIAL NO.   SEE SHEET 2		
	30 OVER	±---	APPROVED BY MSASAO	DATE 2005/10/27	DOCUMENT NO.   SD-501639-002		
	ANGULAR ±---°		SIZE A3		SHEET NO.   1 OF 2		



24mm 幅キャリアテープ  
24mm WIDTH CARRIER TAPE

24	25.5	14.96	501639-0610	60	
		12.96	501639-0510	50	
		10.96	501639-0410	40	
		8.96	501639-0310	30	
キャリアテープ幅 CARRIER TAPE WIDTH		B	(A)	MATERIAL No.	CKT.
			MODEL No.	501639-**10	

REVISED EC NO: J2009-0386 DRWN: YAGYAGI 2008/08/20 CHKD: HAYASHI 2008/08/20 APPR: NUKITA 2008/08/20	DESCRIPTION GENERAL TOLERANCES (UNLESS SPECIFIED)	10 UNDER	±---	DIMENSION STYLE MM ONLY	SCALE ---	DESIGN UNITS METRIC	THIRD ANGLE PROJECTION	
		10 OVER 30 UNDER	±---					
		30 OVER	±---					
		ANGULAR	±---°					
		DRAFT WHERE APPLICABLE MUST REMAIN WITHIN DIMENSIONS						
B	REV	DRAWN BY DATE RTAKEUCHI 2005/10/27		TITLE 0.4 B-TO-B CONN. HGT=1.7 PLUG ASSY EMBSTP PKG				
		CHECKED BY DATE THIRATA 2005/10/27		APPROVED BY DATE MSASAO 2005/10/27				
		MATERIAL NO.		SEE TABLE		DOCUMENT NO. SD-501639-002		SHEET NO. 2 OF 2